



**Description**

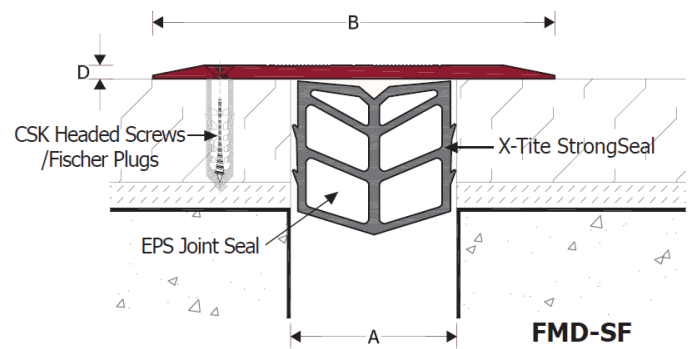
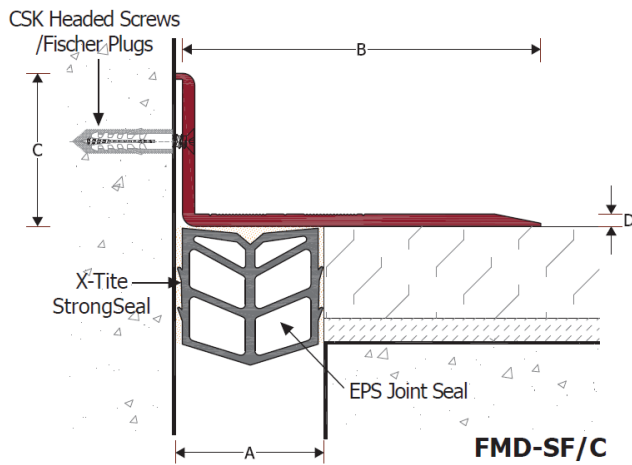
Extruded anodized aluminum joint covers for floors in areas with heavy pedestrian traffic.

**Materials**

Anodized aluminium 6063/T6.  
Can also be supplied in mill finish aluminium.  
Joint Seals: PVC

**Supply Lengths**

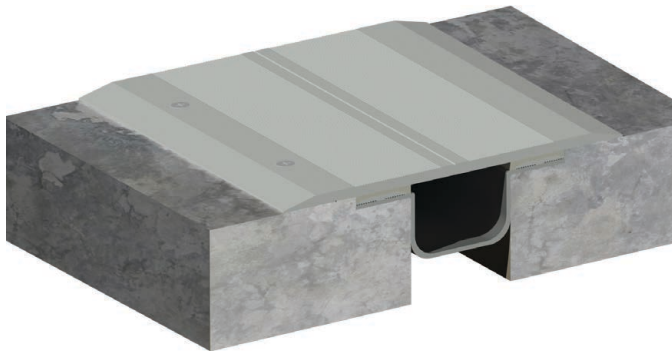
Profile: 4m  
Joint Seals: 20m roll  
Custom lengths can be produced against minimum order.



TYPE	A	B	C	D	*Total Movement
<b>FLAT PROFILE</b>					
FMD-SF 50	50	117	-	5	67
FMD-SF 75	75	170	-	5	120
FMD-SF 100	100	170	-	5	120
FMD-SF 125	125	260	-	6	170
FMD-SF 150	150	260	-	6	170
<b>CORNER PROFILE</b>					
FMD-SF/C 50	50	64	50	4	67
FMD-SF/C 75	75	120	50	4	120
FMD-SF/C 100	100	120	50	4	120
FMD-SF/C 100	125	170	50	4	170
FMD-SF/C 125	125	170	50	4	170
FMD-SF/C 150	150	205	50	6	170

\*Movements depend on the cover plate width

Dimension in mm



**Description**

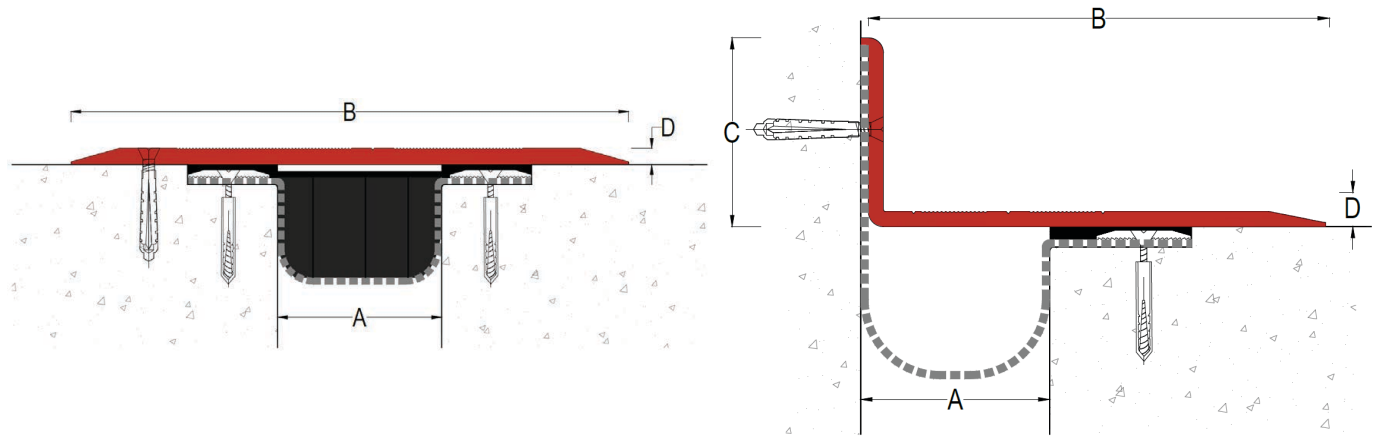
Extruded anodized aluminum joint covers for floors in areas with heavy pedestrian traffic.

**Materials**

Anodized aluminium 6063/T6.  
Can also be supplied in mill finish aluminium.  
Joint Seals: PVC

**Supply Lengths**

Profile: 4m  
Joint Seals: 20m roll  
Custom lengths can be produced against minimum order.



TYPE	A	B	C	D	*Total Movement
<b>FLAT PROFILE</b>					
FMD-SF 50	50	117	-	5	67
FMD-SF 75	75	170	-	5	120
FMD-SF 100	100	170	-	5	120
FMD-SF 125	125	260	-	6	170
FMD-SF 150	150	260	-	6	170
<b>CORNER PROFILE</b>					
FMD-SF/C 50	50	64	50	4	67
FMD-SF/C 75	75	120	50	4	120
FMD-SF/C 100	100	120	50	4	120
FMD-SF/C 100	125	170	50	4	170
FMD-SF/C 125	125	170	50	4	170
FMD-SF/C 150	150	205	50	6	170

\*Movements depend on the cover plate width

Dimension in mm