



Description

Medium load capacity flush fit expansion joint for floors in areas subject to heavy pedestrian and slow moving cars.

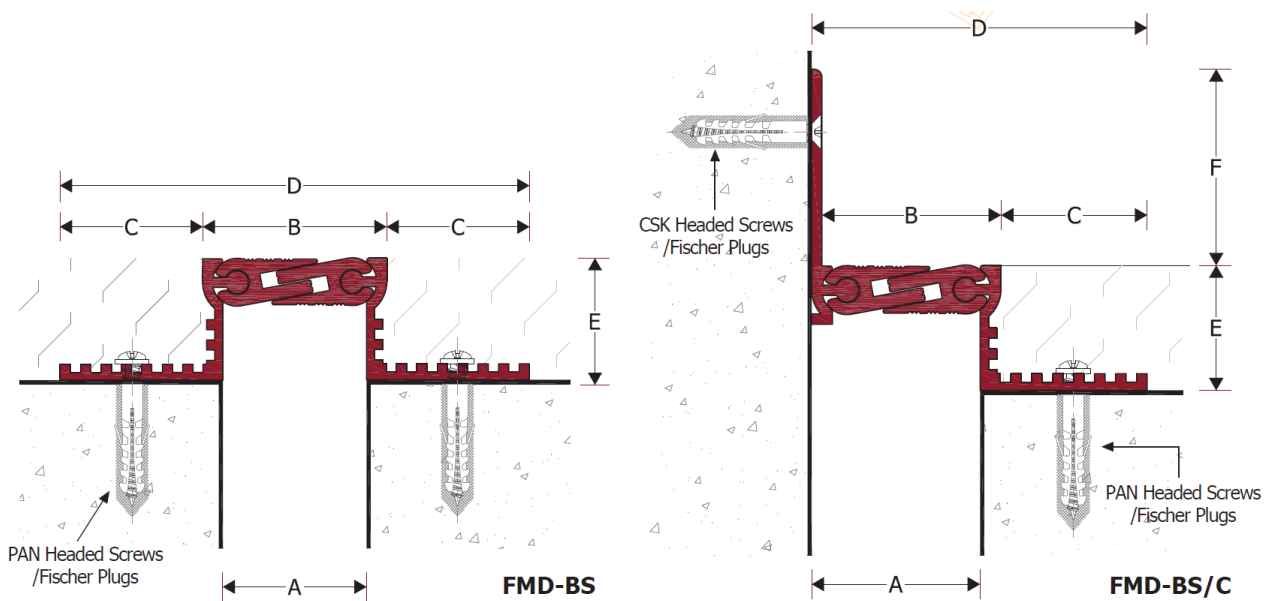
Installed beneath the screed.

Materials

Anodized aluminium 6063/T6. Can also be supplied in mill finish aluminium.

Supply Lengths

4m, custom lengths can be produced against minimum order.



TYPE	A	B	C	D	E	F	Total Movement
FLAT PROFILE							
FMD-BS 35	35	45	35	115	16/30	-	13
FMD-BS 50	50	60	35	130	16/30	-	16
FMD-BS 100	100	114	48	210	17/30	-	40
FMD-BS 150	150	164	48	260	17/30	-	80
CORNER PROFILE							
FMD-BS/C 40	40	42	35	77	16/30	47	13
FMD-BS/C 50	50	52	35	87	16/30	47	16
FMD-BS/C 100	100	104	48	152	17/30	44	40
FMD-BS/C 150	150	154	48	202	16/30	44	80

Dimension in mm