



Aluminum Profile 4m
 Joint Seal: 20m roll
 Custom lengths can be produced against
 minimum order.

Description

Extruded expansion joint for heavy pedestrian.

Installed beneath the screed.

Materials:

Anodized aluminium 6063/T6

PVC Joint Seal

Supply Lengths:

PVC Joint Seal Colour



Black

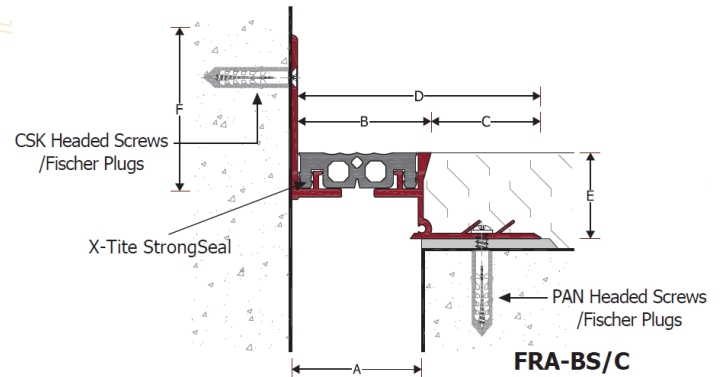
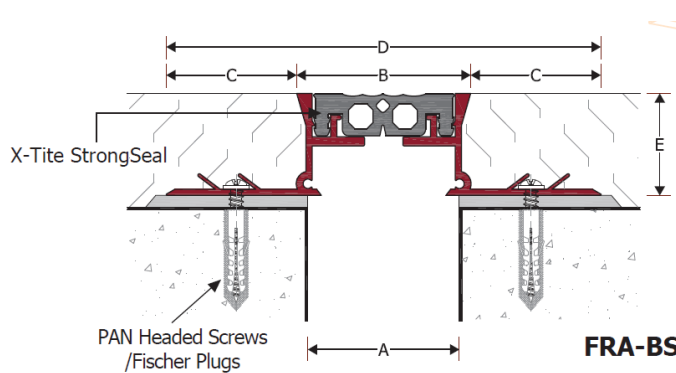


Beige



Grey

(Other colors available subject to 500m minimum order)



TYPE	A	B	C	D	E*	F	Total Movement
FLAT PROFILE							
FRA-BS 20	20	25	38	101	47/72	-	12
FRA-BS 30	30	35	45	125	31/97	-	20
FRA-BS 50	50	60	42	144	33	-	30
FRA-BS 75	75	85	55	194	35	-	36
FRA-BS 100	100	115	55	225	33	-	34
FRA-BS 125	125	140	54	248	33	-	64
FRA-BS 150	150	165	54	273	33	-	90
CORNER PROFILE							
FRA-BS/C 20	20	22	38	60	47/72	37	12
FRA-BS/C 30	30	32	45	77	31/97	63	20
FRA-BS/C 50	50	55	42	97	33	63	30
FRA-BS/C 75	75	80	55	135	35	68	36
FRA-BS/C 100	100	107	55	162	33	83	34
FRA-BS/C 125	125	132	54	186	33	83	64
FRA-BS/C 150	150	157	54	211	33	83	90

*Other heights are available upon request

Dimension in mm