



Description

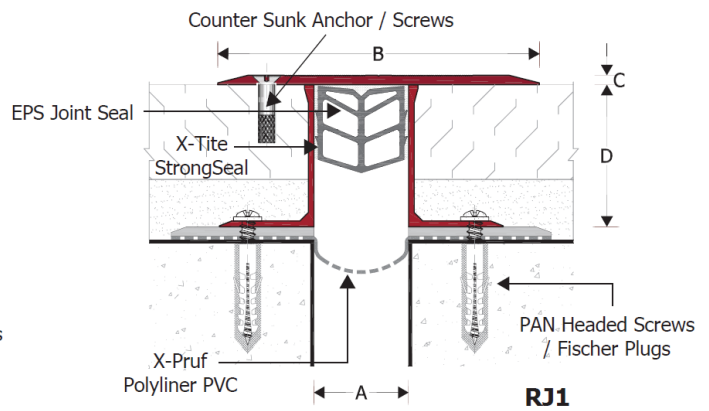
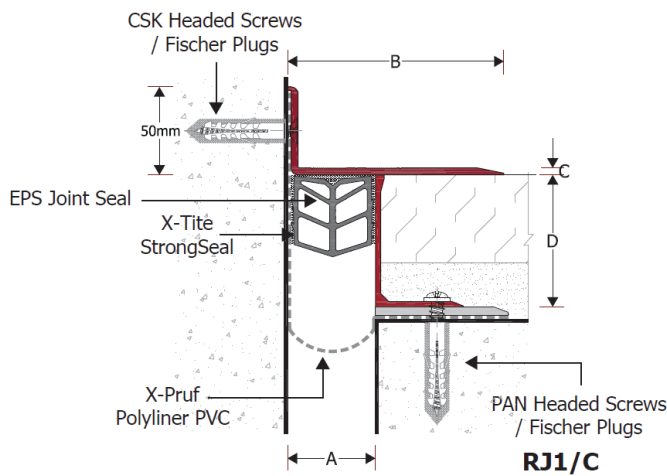
Fully waterproof joint system for roof joints
10mm to 100mm wide used to cover and seal joints in accessible roofs.

Materials

Cover plate: Anodized aluminium grade 6063/T6
(Stainless steel AISI 304 or 316 are also available upon request).
Joint Seals: UV Resistant PVC

Supply Lengths

Aluminium: 4m
Joint Seals: 20m roll
Custom lengths can be produced to order.



TYPE	A	B	C	D	*Total Movement
Flat Profile					
RJ1 10/15	10-15	117	5	33/45/75	20
RJ1 15/20	15-20	117	5	33/45/75	30
RJ1 20/30	20-30	117	5	33/45/75	40
RJ1 30/40	30-40	117	5	33/45/75	50
RJ1 40/50	40-50	170	5	33/45/75	65
RJ1 50/80	50-80	170	5	33/45/75	100
RJ1 80/100	80-100	170	5	33/45/75	120
Corner Profile					
RJ1/C 10/15	10-15	67	4	33/45/75	20
RJ1/C 15/20	15-20	67	4	33/45/75	30
RJ1/C 20/30	20-30	67	4	33/45/75	40
RJ1/C 30/40	30-40	67	4	33/45/75	50
RJ1/C 40/50	40-50	67	4	33/45/75	65
RJ1/C 50/80	50-80	120	4	33/45/75	100
RJ1/C 80/100	80-100	120	4	33/45/75	120

*Movements depend on the cover plate width

Dimension in mm